

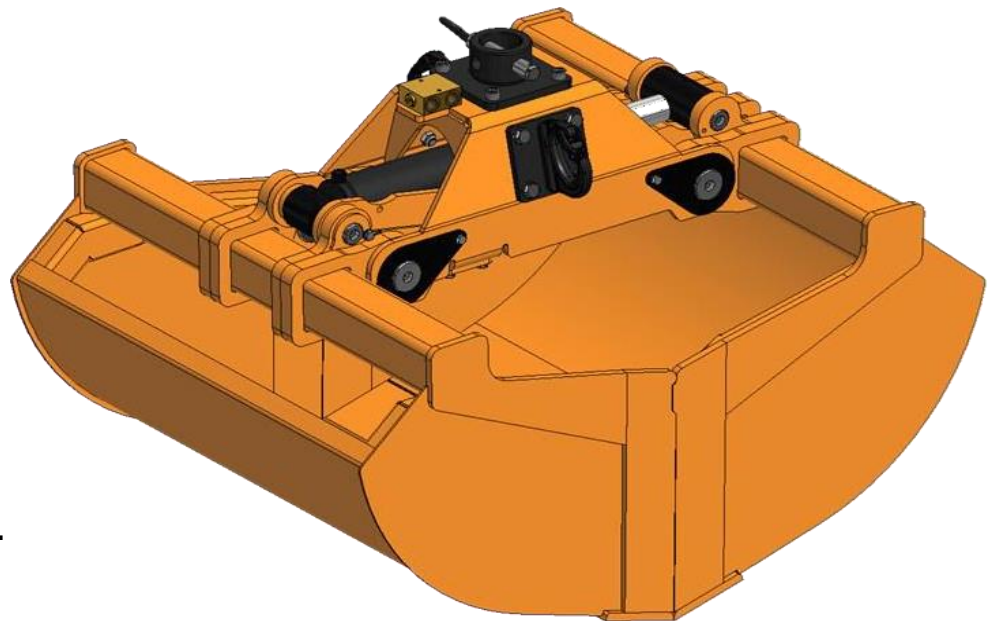
# HEMA

## L-Series Soil Grapple

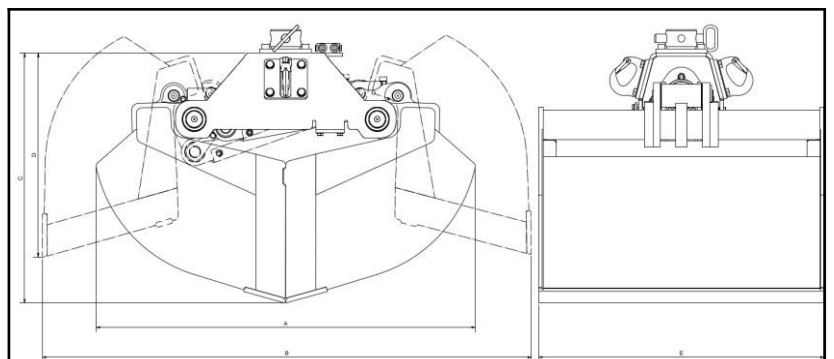
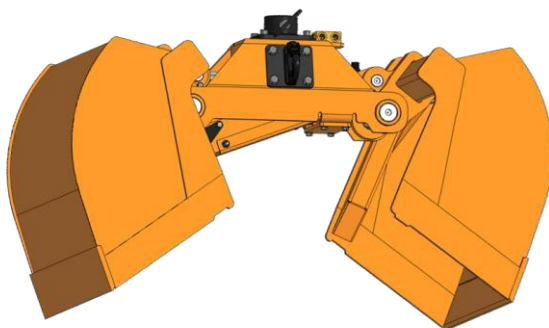
The L-series is HEMA's newest grapple, developed with focus on a lightweight construction while still maintaining high strength and powerful clamping force.

The L-series can be supplied with a load-holding valve for even safer handling of materials.

The L-series has a very open construction, making it easily accessible, for example with a hand shovel.



### HEMA Soil Grapple HJL



Product no.	TYPE S- series	Pressure (bar)	Capacity	A mm	B mm	C mm	D mm	E mm	Weight kg
3017 5025	HJL 90-550	350 / 200	550 L	1325	1705	870	710	995	395

Subject to printing errors and technical changes 2026.03.18