

HEMA EasyLink

Fast, safe and ergonomic tool changes

HEMA EasyLink is the new, smart solution for coupling and uncoupling grabs and hydraulic tools — directly at working height.

No more repeated climbs up and down the truck bed, giving you a much faster and more ergonomic workflow.



Scan QR code for video

Uncoupling from ground level

Lower the tool, remove the pin/bolt and disconnect the hydraulics at a safe working height.

Coupling from ground level

Change tools or place the tool back on the truck bed — ready for transport or the next job.

- Faster tool changes
- Reduced strain and improved safety
- Fits a wide range of rotators
- Heavy-duty HEMA quality
- Patent pending — a completely new system on the market
- Only available from HEMA



EASYLINK

HEMA EasyLink

Fast, safe and ergonomic tool changes

Uncoupling at ground level

Lower the tool, remove the pin/bolt and disconnect the hydraulics at a safe working height.

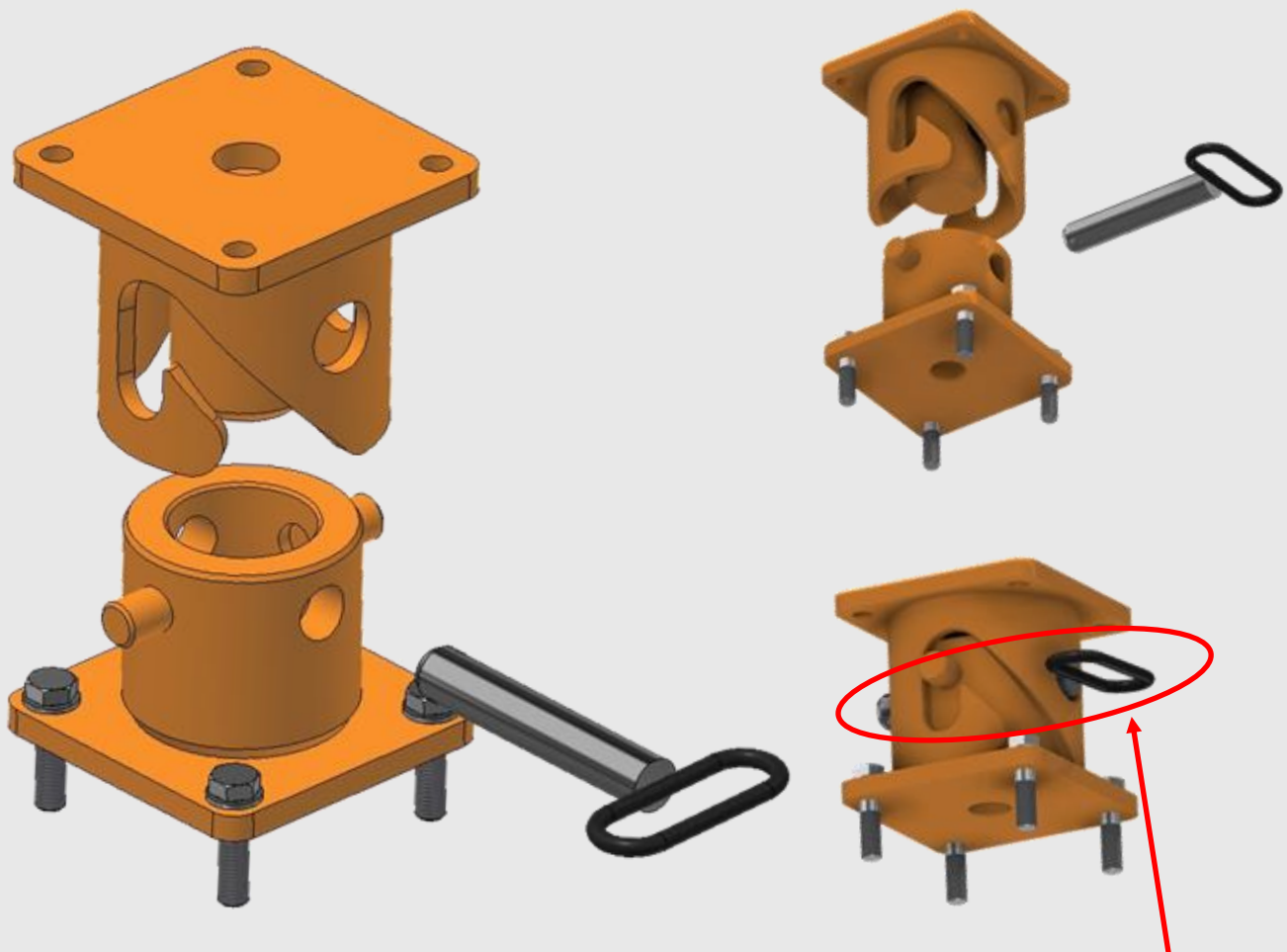
Coupling from ground level

Change tool or place it back on the truck bed again, ready for transport or the next job.

The locking pin is used when the grapple/tool is in use.



Scan QR code for video

**EASYLINK**

The locking pin is used when the grapple/tool is in use.