

HEMA Rotator

Indexator Models

The GV models are available in several different variations with different SWL loads, ranging from 3-16 ton – and all rotate continuously.

The rotators can be mounted on virtually all auto cranes and machines with custom suspension.

Please contact our sales department for correct adjustment of crane and tool suspension.



GV 3 3 Tons
Axel or flange



GV 6 6 Tons
Axel or flange



GV 12-1 - 10 Ton
Prod nr.: 3095 9254

GV 12-2 - 10 Ton
Vare nr.: 3095 9255



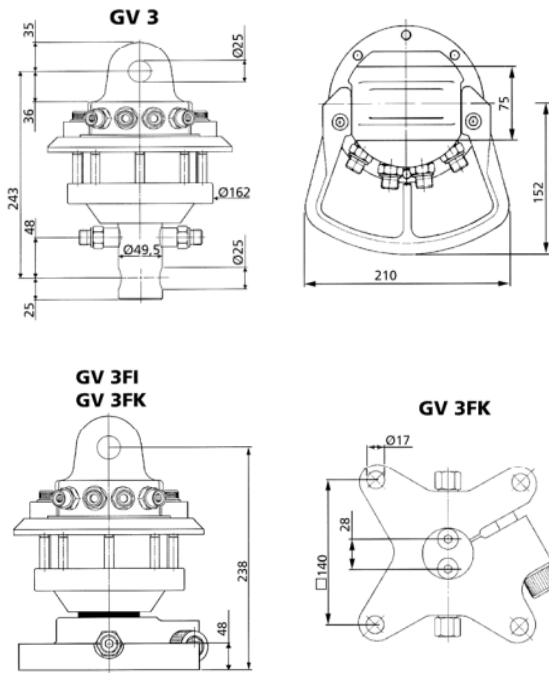
IR 10H M20 - 25 Ton
Prod nr.: 3095 9280



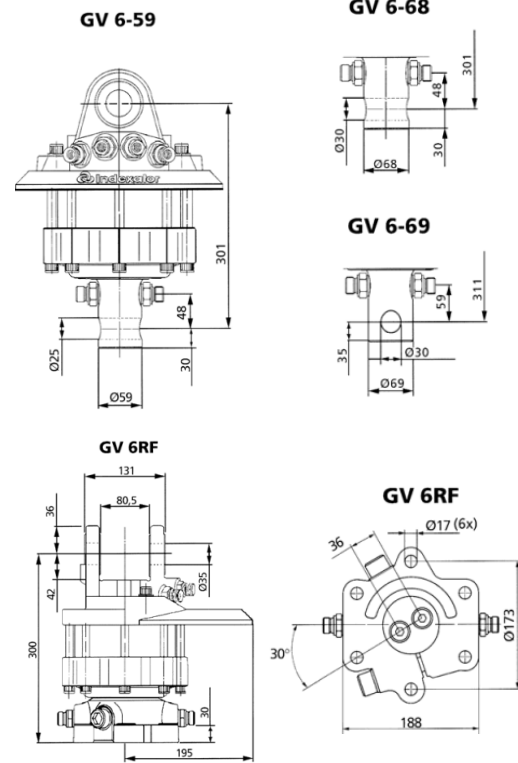
IR 20H M20 - 25 Ton
Prod nr.: 3095 9290

Please contact our sales department for correct adjustment of crane and tool suspension.

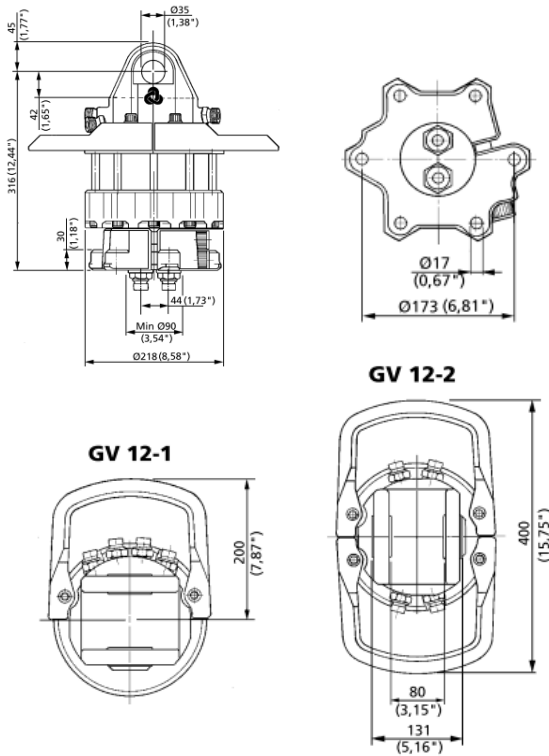
GV 3



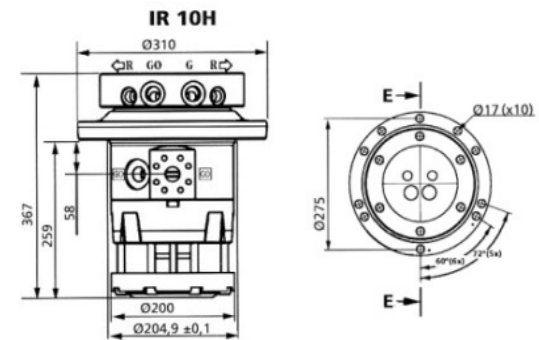
GV 6



GV 12



IR 10



IR 20

