

HEMA GR55 Rotator

GR models from Baltrotor

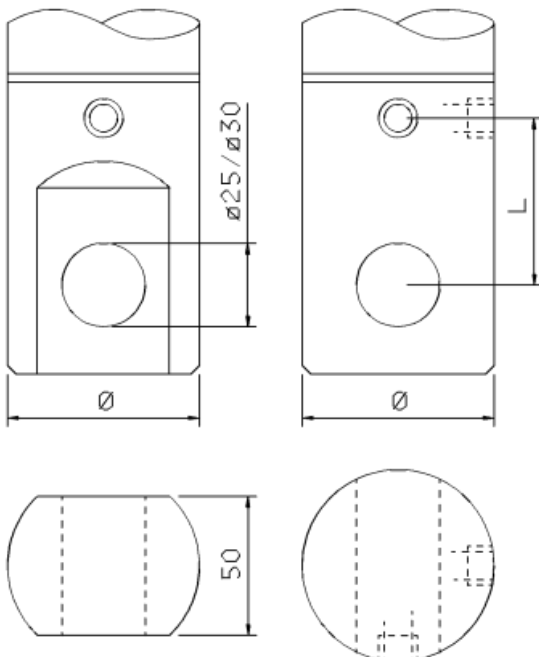
The GR models are available in several different variations with different SWL loads, ranging from 1-45 ton – and all rotate continuously.

The rotators can be mounted on virtually all auto cranes and machines with custom suspension.

The GR rotator range is versatile, as its mounting dimensions fit a large part of the existing equipment within the transport industry.

The GR rotators are also distinguished by their relative low weight and physical size, while at the same time, having a high torque.

As the rotators are flexible, they can easily be changed with another model depending on the shaft and bolt dimensions, as well as flange mounting for some models.

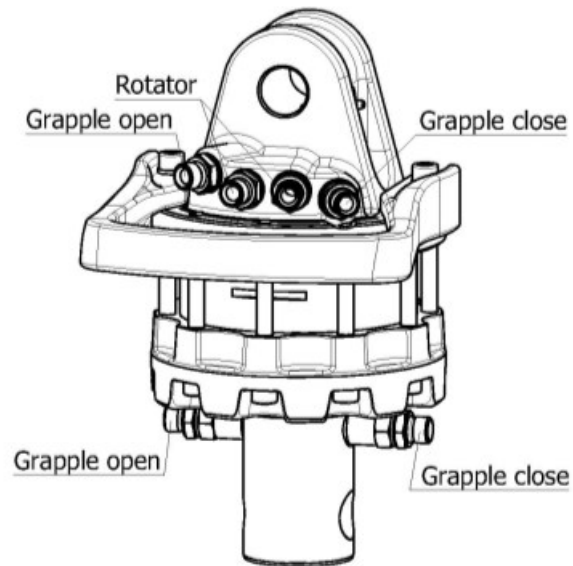
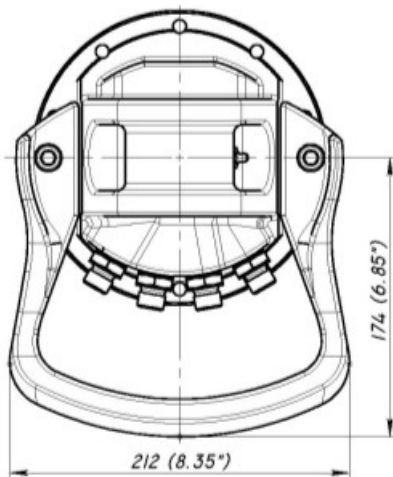
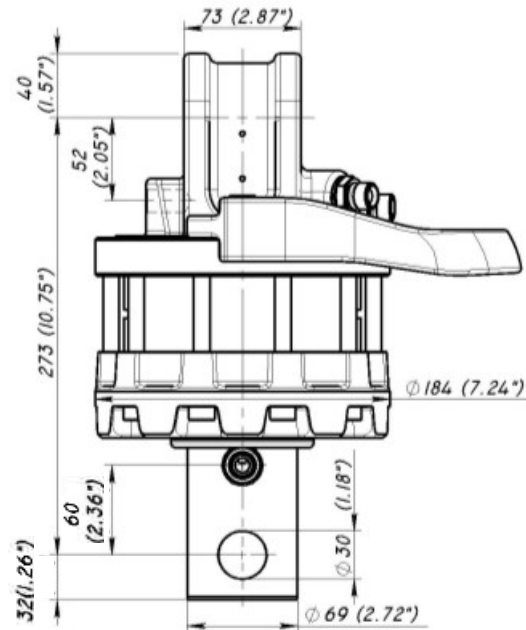
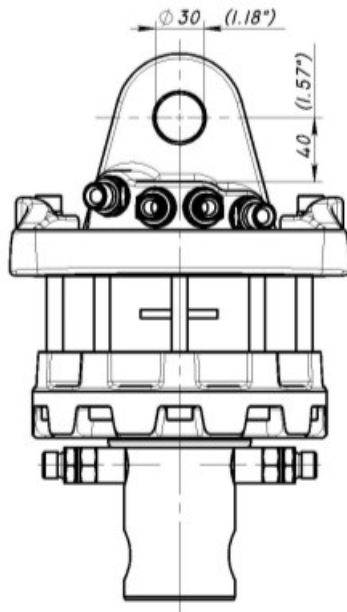


Product nr. 3095 9330

**GR55 5,5 Tons
Standard axel
Round Ø69xØ30 Hole
Alternative Ø69xØ30
with 50 mm Milling
Product nr. 3095 9335**

Adjustment of link between rotator and tool, see shaft sketch and back of this brochure for dimensions on shafts.

ROTATOR GR 55 M



Technical data

Rotation	Unlimited
Max axial load static, KN (lbf)	55 (12367)
Max axial load dynamic, KN (lbf)	25 (5621)
Torque at 25MPa (3625psi), Nm (lb ft)	1400 (1033)
Rec oilflow, l/min (US gallon)	22 (5.8)
Weight, kg (lb)	29 (64)

Max working pressure:

Rotator	←R→	Max 25 MPa (3625 psi)
Grapple / Tool open	←G→	Max 20 MPa (2900 psi)
Grapple / Tool close	→G←	Max 30 MPa (4350 psi)

Connection:

G 3/8"
G 3/8"
G 3/8"