

# HEMA GR10 Rotator

## GR models from Baltrotor

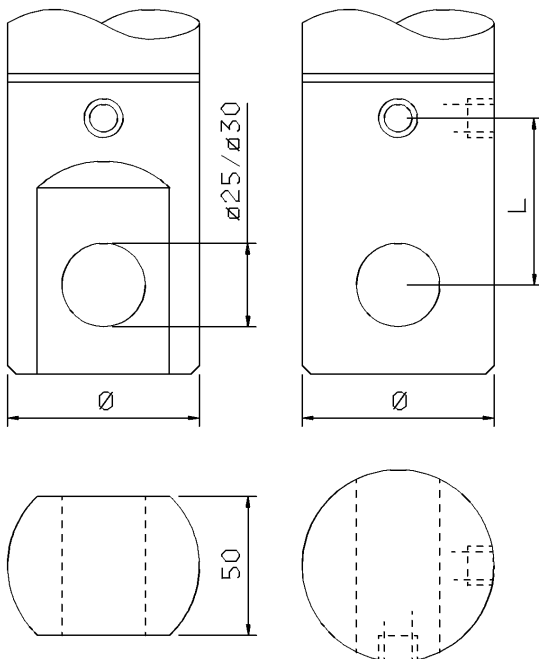
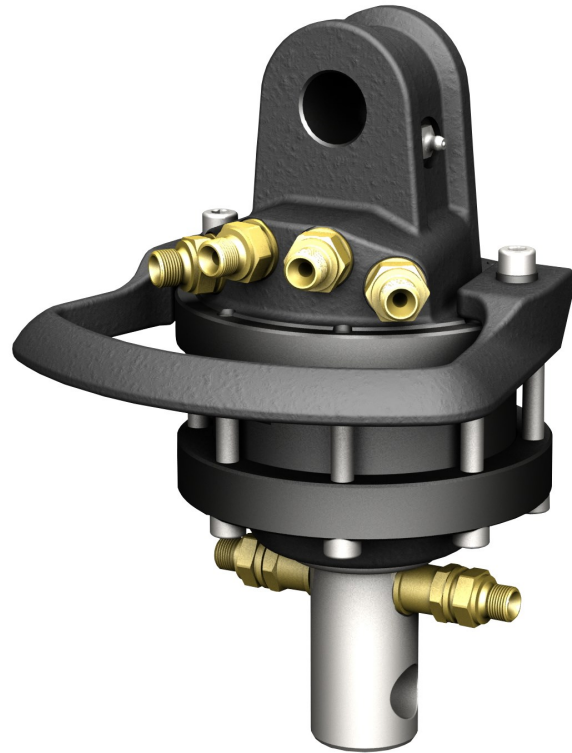
The GR models are available in several different variations with different SWL loads, ranging from 1-45 ton – and all rotate continuously.

The rotators can be mounted on virtually all auto cranes and machines with custom suspension.

The GR rotator range is versatile, as its mounting dimensions fit a large part of the existing equipment within the transport industry.

The GR rotators are also distinguished by their relative low weight and physical size, while at the same time, having a high torque.

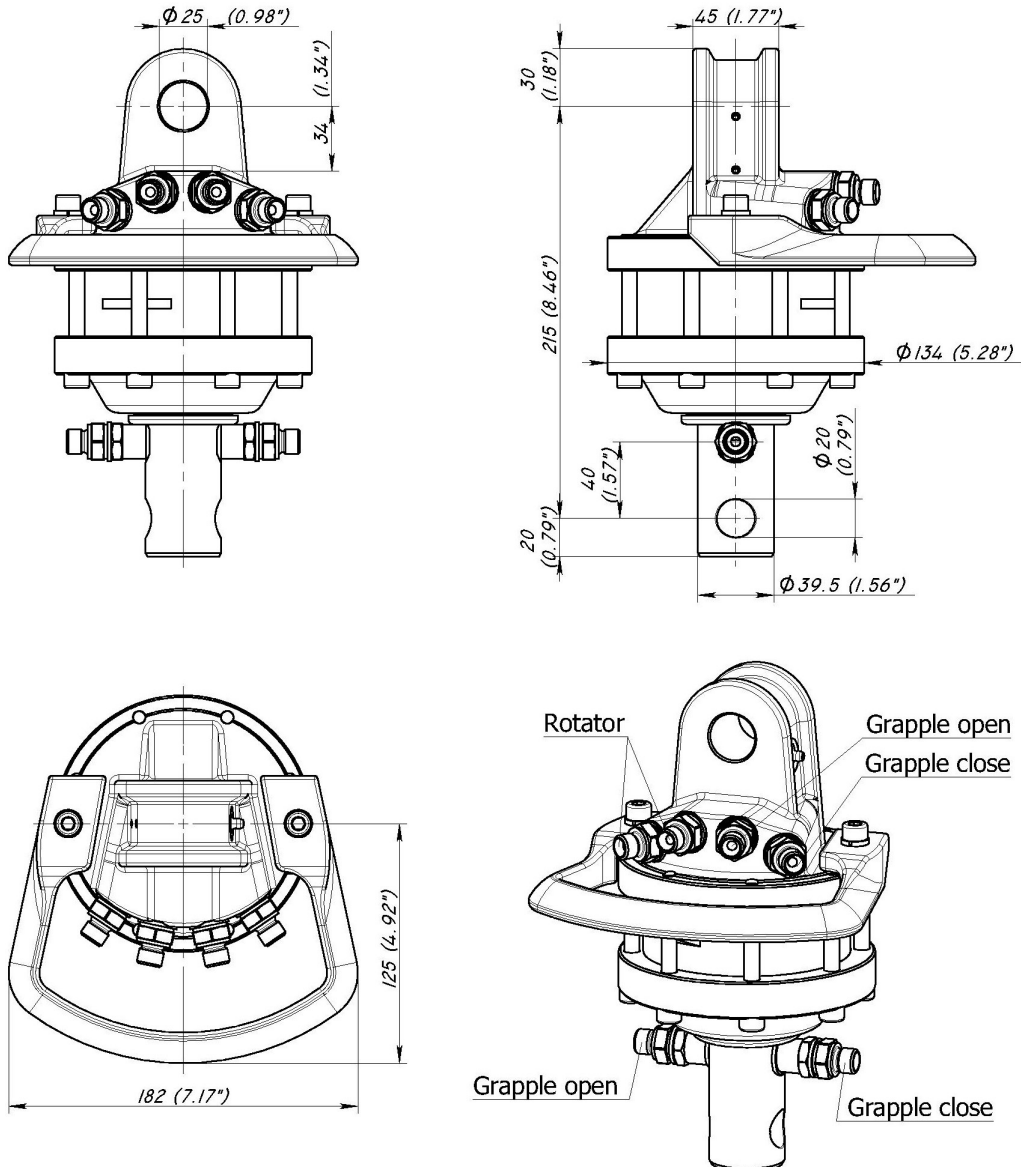
As the rotators are flexible, they can easily be changed with another model depending on the shaft and bolt dimensions, as well as flange mounting for some models.



**Product nr. 3095 9300**  
**GR10 1,0 Tons**  
**Standard axel Round**  
**Ø39,5xØ20 Hole**

0ab•d ^} d[ -Á|á \Áa^c ^^} Á:[ ca| |Áa} á d[ |É  
 •^^Á @eo\ ^&@Á} áÁa& Á -Á@ Áa| &@ ^ ^ |Á  
 ä} ^} •á} •Á} Á @eo É

# ROTATOR GR 10



## Technical data

Rotation	Unlimited
Max axial load static, KN (lbf)	10 (2250)
Max axial load dynamic, KN (lbf)	5 (1125)
Torque at 25Mpa (3625psi), Nm (lb ft)	450 (330)
Rec oilflow, l/min (US gallon)	10 (2.6)
Weight, kg (lb)	10 (22)

### Max working pressure:

Rotator	<b>←R→</b>	Max 25 MPa (3625 psi)
Grapple / Tool open	<b>←G→</b>	Max 20 MPa (2900 psi)
Grapple / Tool close	<b>→G←</b>	Max 30 MPa (4350 psi)

### Connection:

G 1/4"
G 1/4"
G 1/4"