

HEMA GR60-69 Rotator

GR models from Baltrotor

The GR models are available in several different variations with different SWL loads, ranging from 1-45 ton – and all rotate continuously.

The rotators can be mounted on virtually all auto cranes and machines with custom suspension.

The GR rotator range is versatile, as its mounting dimensions fit a large part of the existing equipment within the transport industry.

The GR rotators are also distinguished by their relatively small self-weight and physical size, while at time having a big torque.

As the rotators are flexible, they can easily be changed with another model/type depending on the shaft and bolt dimensions, as well as flange mounting for some specimens.



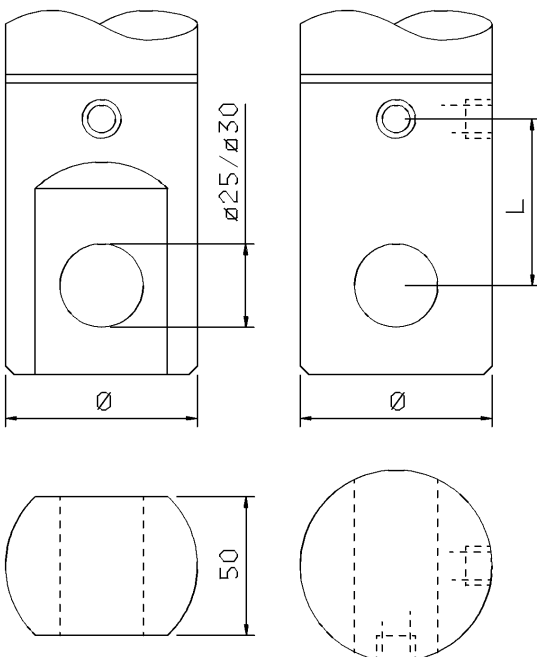
Product nr.: 3095 9341

**GR60-69 DB 6,0 Tons
Standard axel Round
Ø69xØ30 Hole**

Alternative Ø69xØ30

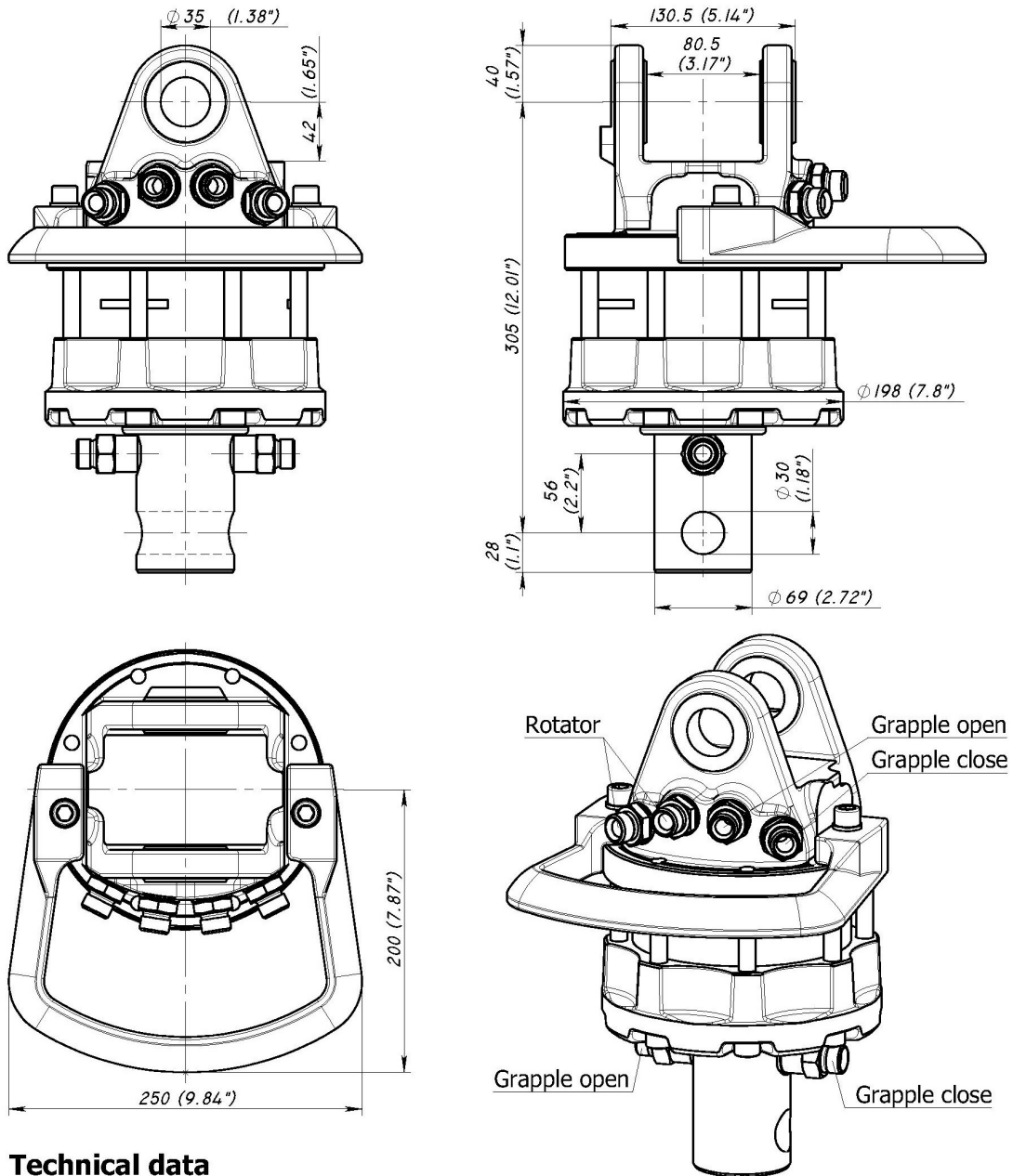
Product nr. 3405 7360

**Rotator suspension bolt
Ø35x130**



Adjustment of suspension between rotator and tool, see shaft sketch and back of this brochure for dimensions on shafts.

ROTATOR GR 60/69 DB



Technical data

Rotation	Unlimited
Max axial load static, KN (lbf)	+60 (13491)
	-50 (11242)
Max axial load dynamic, KN (lbf)	+30 (6745)
	-25 (5621)
Torque at 25Mpa (3625psi), Nm (lb ft)	1900 (1401)
Rec oilflow, l/min (US gallon)	25 (6.6)
Weight, kg (lb)	37 (81)

Max working pressure:

Rotator	←R→	Max 25 MPa (3625 psi)	G 1/2"
Grapple / Tool open	←G→	Max 20 MPa (2900 psi)	G 1/2"
Grapple / Tool close	→G←	Max 30 MPa (4350 psi)	G 1/2"

Connection:

	G 1/2"
	G 1/2"
	G 1/2"